



# KOBOLTA Metal Co.

One alloy. Two diameters. Every part between.  
Complete railing systems in AISI 304 — welded tube,  
Ø50.8 rail hardware, Ø16 rod infill and stainless  
anchors, supplied by the consignment.

KOBOLTA.COM YONGZHOU@KOBOLTA.COM GUANGZHOU, GUANGDONG, CHINA

CONTENTS

# The catalogue is the kit.

<b>01</b>	Tube & profile — Seven welded 304 sections — the rail, the post, the frame	<b>03</b>
<b>02</b>	Ø50.8 rail hardware — Everything the two-inch rail needs to join, turn, end and mount	<b>05</b>
<b>03</b>	Ø16 rod system — Carriers, bushings, rings and flanges for the Ø16 rod infill	<b>07</b>
<b>04</b>	Fasteners & trim — The covers, washers and pins that finish and fix the system	<b>09</b>
<b>05</b>	Posts & balustrade — Prepared posts that take the rail, the rod or the glass	<b>10</b>
<b>06</b>	Glass railing hardware — Spigots, clamps and standoffs for frameless and post-mounted glass	<b>11</b>
<b>07</b>	Cable & tension system — Wire rope and the fittings that pull a bay tight	<b>12</b>
<b>S</b>	Systems — guardrail bay, stair, wall run	<b>13</b>
<b>Q</b>	Quality, packing & terms	<b>15</b>

The consignment core of this catalogue is anchored to a live supply record — the sections, wall thicknesses, unit masses and prices of a current 37-tonne shipment, not a wish list. Tube is priced per metre and settled on weighbridge mass; hardware is priced per piece, counted and boxed by SKU.

Indicative prices are FOB Guangzhou in USD and exclude alloy surcharge movement. Portfolio lines beyond the contract — posts, glass and cable hardware — are priced on request. For project pricing, send sections and quantities to [yongzhou@kobolta.com](mailto:yongzhou@kobolta.com) — quotations are returned as a priced, weighed consignment within one working day.

<b>32</b> CATALOGUE ITEMS	<b>37 t</b> TUBE PER CONSIGNMENT	<b>36,100</b> COMPONENTS SUPPLIED	<b>1.35</b> MM WALL, HELD
------------------------------	--	--------------------------------------	------------------------------

GRADE EQUIVALENCE — ONE ALLOY THROUGHOUT	
AISI / ASTM	304
EN	1.4301 · X5CrNi18-10
JIS	SUS304

# 01/04 Tube & profile

T SERIES · AISI 304



**KB-T508**

**US\$ 11.03 / m**

Round tube  $\varnothing 50.8$

$\varnothing 50.8 \times 1.35 \text{ mm} \cdot 1.66 \text{ kg/m} \cdot 6.0 \text{ m stock length}$



**KB-T4040**

**US\$ 10.98 / m**

Square tube  $40 \times 40$

$40 \times 40 \times 1.35 \text{ mm} \cdot 1.66 \text{ kg/m} \cdot 6.0 \text{ m stock length}$



**KB-T3030**

**US\$ 8.14 / m**

Square tube  $30 \times 30$

$30 \times 30 \times 1.35 \text{ mm} \cdot 1.23 \text{ kg/m} \cdot 3.0 \text{ m stock length}$



**KB-T2040**

**US\$ 8.14 / m**

Rectangular tube  $20 \times 40$

$20 \times 40 \times 1.35 \text{ mm} \cdot 1.23 \text{ kg/m} \cdot 3.0 \text{ m stock length}$



**KB-T2020**

**US\$ 5.30 / m**

Square tube 20 × 20

20 × 20 × 1.35 mm · 0.80 kg/m · 5.0 m stock length



**KB-T2010**

**US\$ 3.88 / m**

Rectangular tube 20 × 10

20 × 10 × 1.35 mm · 0.58 kg/m · 3.0 m stock length



**KB-T16**

**US\$ 3.27 / m**

Round tube Ø16

Ø16 × 1.35 mm · 0.49 kg/m · 7.0 m stock length

#### Stock lengths & tolerances

- Round Ø50.8 in 6.0 m; squares and rectangles in 3.0–6.0 m; Ø16 rod in 7.0 m.
- Wall held at 1.35 mm on every section — one gauge across the catalogue.
- Cut-to-length, mitring and polishing (satin / mirror) to order.
- Tube settled on weighbridge mass — the packing list figure is the scale figure.

# 02/04 Ø50.8 rail hardware

H SERIES · AISI 304



**KB-H01**

**US\$ 4.69 / pc**

## Handrail bracket

Ø50.8 system · 140 g · 140 g · Mirror-polished 304

L-plate bracket that carries the rail off a wall or stringer. Two-hole fixing each leg.



**KB-H02**

**US\$ 3.86 / pc**

## Joining sleeve, internal

Ø50.8 · 80 g · 80 g · Press-fit inside tube

Slips inside two abutting rail ends and closes the joint without a visible collar.



**KB-H03**

**US\$ 7.73 / pc**

## Fixing clamp, saddle type

Ø50.8 · 158 g · 158 g · Two-piece, bolted

Two-piece clamp that seats the Ø50.8 rail onto a post or plate and bolts it down.



**KB-H04**

**US\$ 4.69 / pc**

## End cap, domed

Ø50.8 · 110 g · 110 g · Press-fit

Closes an open rail end with a low dome. Press fit, no fixings visible.



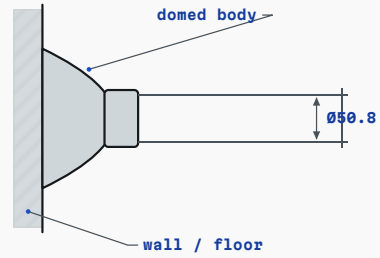
**KB-H05**

**US\$ 13.80 / pc**

**Swivel connector**

Ø50.8 · 385 g · 385 g · Articulating 0-180°

Articulating joint that lets the rail follow a stair rake or turn a landing without a mitre.



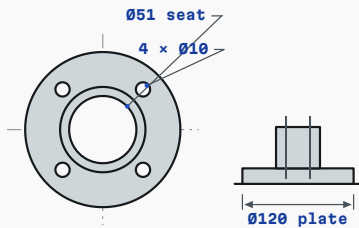
**KB-H06**

**on request**

**Wall socket, domed**

Ø50.8 · 134 g · 134 g · Terminates rail at wall

Domed socket that receives the rail where a run dies into a wall or floor.



**KB-H07**

**on request**

**Base flange Ø50.8**

Ø120 plate · Ø51 seat · Plate + collar, 4 fixings

Floor flange that seats a Ø50.8 post on the slab — four-bolt plate with a machined collar.

# 03/04 Ø16 rod system

R SERIES · AISI 304



**KB-R01**

**US\$ 4.42 / pc**

## Roller carrier housing

Ø16 bore · 55 g · 55 g · Machined housing + roller

Machined housing with an internal roller — carries the Ø16 rod and lets it run.



**KB-R02**

**US\$ 3.86 / pc**

## Cylindrical bushing

Ø16 · 37 g · 37 g · Machined 304

Plain bushing that seats the rod through a post face and keeps the line true.



**KB-R03**

**US\$ 2.48 / pc**

## Spring retaining ring

Ø16 · set of 4 shown · Spring stainless

Spring stop ring that retains the rod run at the end post — fits the Ø16 groove by hand.



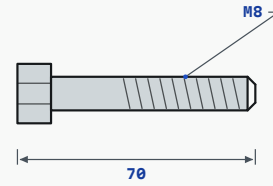
**KB-R04**

**US\$ 1.10 / pc**

### Clamp flange

Ø16 · 12 g · 12 g · Pressed 304

Small pressed flange that clamps and dresses the rod where it passes a face.



**KB-R05**

**on request**

### Rod retaining bolt

M8 x 70 mm · 80 g · 80 g · Stainless, machined

Machined retaining bolt for the rod run — the threaded alternative to the spring ring.



**KB-F01**

**US\$ 1.66 / pc**

### Decorative cover plate

Ø50.8 · 45 g · 45 g · Snap-over escutcheon  
Snap-over escutcheon that dresses the fixing plate where a post meets the slab.

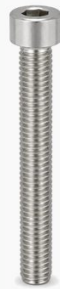


**KB-F02**

**US\$ 3.04 / pc**

### Thrust washer

Ø50.8 × 4.5 mm · 122 g · 122 g · Flat, 4.5 mm thick  
Heavy flat washer that spreads bearing load under flanges and swivel joints.



**KB-F03**

**US\$ 0.83 / pc**

### Fixing pin M8 × 120

M8 × 120 mm · 56 g · 56 g · A2 stainless  
M8 fixing pin, 120 mm, in A2 stainless — fixes plates and brackets into the structure.

# 05/04 Posts & balustrade

P SERIES · AISI 304



**KB-P01**

**on request**

### Railing post, crossbar

40 × 40 · two Ø16 holders · Base plate, drilled

Square post with welded crossbar holders for the Ø16 rod runs and a flanged base plate.



**KB-P02**

**on request**

### Side-mount post

40 × 40 · stringer plate · Fascia / stringer fixing

Post with a side plate for fascia mounting where the deck edge, not the slab, takes the load.

# 06/04 Glass railing hardware

G SERIES · AISI 304



**KB-G01**

**on request**

### Glass spigot, core mount

For 8–12 mm glass · Deck or core fixing  
Square core-mounted spigot that carries frameless glass off the slab — no posts, no frame.



**KB-G02**

**on request**

### Glass clamp, square

For 8–12 mm glass · Rubber-lined, M8 fixing  
Square clamp that holds a toughened panel to post or plate; lined jaws, one-key adjustment.



**KB-G03**

**on request**

### Glass standoff adapter

Ø30 · for 8–12 mm glass · Wall or fascia fixing  
Round standoff that floats a glass panel off a wall or fascia on a polished cap.



**KB-G04**

**on request**

### Glass edge clamp

For 8–12 mm glass · Panel-to-panel connector  
Small edge clamp that ties adjacent panels or closes a corner without a post.



**KB-C01**

**on request**

### Turnbuckle, eye & eye

M8 · frame body · A2/A4 stainless

Frame turnbuckle that tensions a cable run — eye each end, locknuts supplied.



**KB-C02**

**on request**

### Wire rope clip

For Ø4-6 rope · U-bolt pattern

U-bolt rope clip that terminates or joins a cable where a swaged end is not wanted.



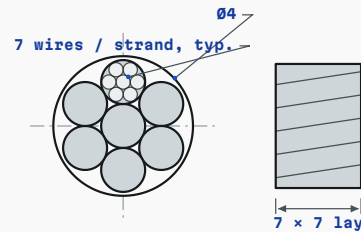
**KB-C03**

**on request**

### Swage stud tensioner

M8 × Ø4 swage · Hex adjuster body

Swage stud with an inline adjuster — crimps to the rope, threads into the end post.



**KB-C04**

**on request**

### Wire rope Ø4, 7 × 7

Ø4 · 7 × 7 lay · Cut lengths or reels

The cable itself — Ø4 stainless rope in 7 × 7 construction, flexible enough to tension by hand.

#### Packing & consignment

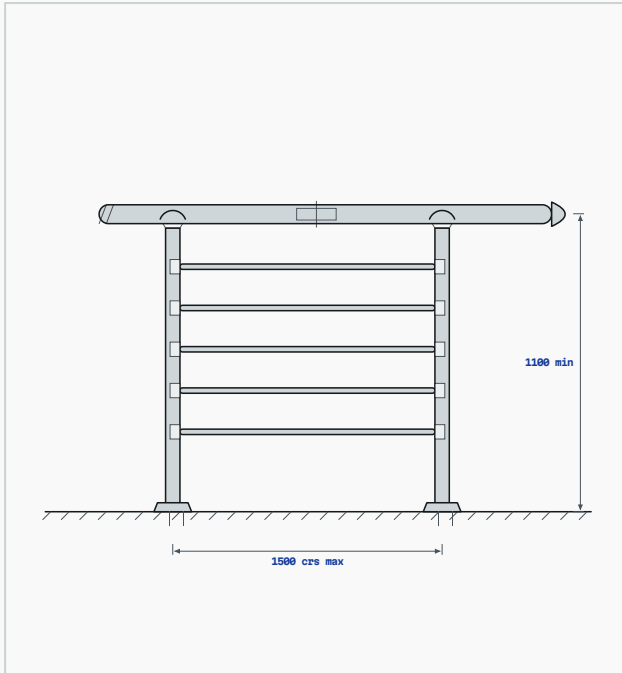
- Each length PE-sleeved; bundles strapped and corner-protected
- Hardware boxed and labelled by SKU and quantity
- Plywood-crated for sea or rail freight; consignments to CIS rail gauge accepted

#### How to request a quotation

Send sections, metres and component counts — or simply the drawing — to [yongzhou@kobotla.com](mailto:yongzhou@kobotla.com). We reply with a line-priced consignment: masses, crate count, and validity. Quotations in USD, EXW or FOB Guangzhou.

SYSTEMS

# Three ways the kit goes together.

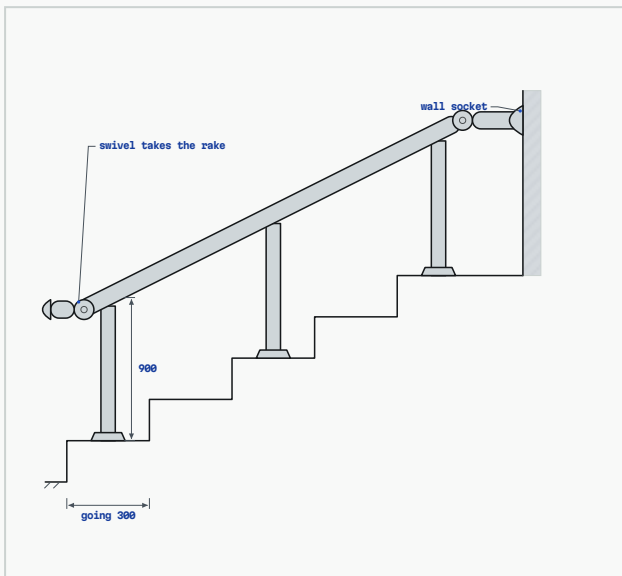


**S1 · PARKING DECKS · RAMPS ·  
EDGE PROTECTION**

### Guardrail bay, rod infill

A 40 × 40 post grid with a Ø50.8 top rail and five runs of Ø16 rod carried on roller housings. The bay the current Central Asia consignment is cut for.

SKU	ITEM	INDICATIVE
KB-T4040	Square tube 40 × 40	US\$ 10.98 / m
KB-T508	Round tube Ø50.8	US\$ 11.03 / m
KB-T16	Round tube Ø16	US\$ 3.27 / m
KB-H03	Fixing clamp, saddle type	US\$ 7.73 / pc
KB-H02	Joining sleeve, internal	US\$ 3.86 / pc
KB-R01	Roller carrier housing	US\$ 4.42 / pc
KB-R02	Cylindrical bushing	US\$ 3.86 / pc
KB-R03	Spring retaining ring	US\$ 2.48 / pc
KB-F03	Fixing pin M8 × 120	US\$ 0.83 / pc



**S2 · PUBLIC STAIRS · MEZZANINES ·  
FIRE ESCAPES**

### Stair balustrade

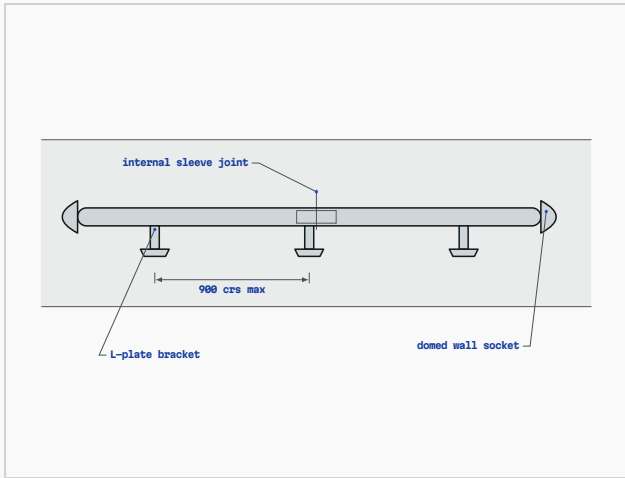
The same post and rail resolved on a rake: swivel connectors take the pitch, handrail brackets return the rail, domed caps close every open end.

SKU	ITEM	INDICATIVE
KB-T4040	Square tube 40 × 40	US\$ 10.98 / m
KB-T508	Round tube Ø50.8	US\$ 11.03 / m
KB-H05	Swivel connector	US\$ 13.80 / pc
KB-H01	Handrail bracket	US\$ 4.69 / pc
KB-H04	End cap, domed	US\$ 4.69 / pc
KB-F02	Thrust washer	US\$ 3.04 / pc
KB-F03	Fixing pin M8 × 120	US\$ 0.83 / pc

**S3 · CORRIDORS · UNDERPASSES · ACCESS RAMPS**

**Wall-mounted handrail**

A continuous Ø50.8 rail run off handrail brackets, joined on internal sleeves, dressed with cover plates at every fixing.



SKU	ITEM	INDICATIVE
<b>KB-T508</b>	Round tube Ø50.8	<b>US\$ 11.03 / m</b>
<b>KB-H01</b>	Handrail bracket	<b>US\$ 4.69 / pc</b>
<b>KB-H02</b>	Joining sleeve, internal	<b>US\$ 3.86 / pc</b>
<b>KB-F01</b>	Decorative cover plate	<b>US\$ 1.66 / pc</b>
<b>KB-F03</b>	Fixing pin M8 × 120	<b>US\$ 0.83 / pc</b>

**Custom elevations**

The three systems shown are the common cases, not the limits. The same grammar — posts, saddles, swivels, sockets and rod carriers — resolves ramps, landings, balconies and continuous runs. Send the elevation and we return the bill of materials against this catalogue.

## Certified alloy. Weighed settlement.

### Chemical composition — 304, %

C	0.08 max
Si	1.00 max
Mn	2.00 max
P	0.045 max
S	0.030 max
Cr	17.5 - 19.5
Ni	8.0 - 10.5

### Manufacturing standards

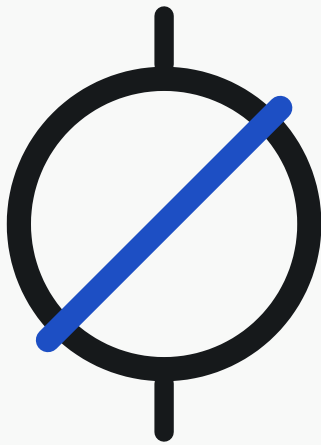
- **Tube manufacture** — ASTM A554 — welded stainless mechanical tubing
- **Material** — EN 10088-2 / ASTM A240 chemistry, 304
- **Surface** — 320-grit satin polish; mirror on brackets and caps
- **Fasteners** — A2 (304) stainless throughout

### Assurance, on paper

- **Mill test certificates** — EN 10204 3.1 mill certificates issued with every consignment, traceable to heat number.
- **Weighed settlement** — Tube is settled on weighbridge mass, not theoretical mass — the figure on the packing list is the figure on the scale.
- **Third-party inspection** — SGS or Bureau Veritas pre-shipment inspection arranged on request, at cost.
- **Dimensional control** — Wall thickness, section size and length checked per bundle against the order line.

### Terms

Indicative prices are FOB Guangzhou in USD; tube settled on weighbridge mass; alloy surcharge passed through at cost. Mill certificates EN 10204 3.1 accompany each consignment. Factory audit and third-party inspection (SGS / BV) arranged on request.



## Send the drawing.

A section, a bill of quantities, or just the metres — we come back with a priced, weighed consignment within one working day.

[yongzhou@kobolta.com](mailto:yongzhou@kobolta.com)

YONG ZHOU · SALES · BLOCK C, 8/F, GUANGDONG TUOSI SOFTWARE PARK, LUOGANG, GUANGZHOU, GUANGDONG 510663, CHINA

KOBOLTA.COM GUANGZHOU, GUANGDONG, CHINA QUOTATIONS IN USD · EXW / FOB